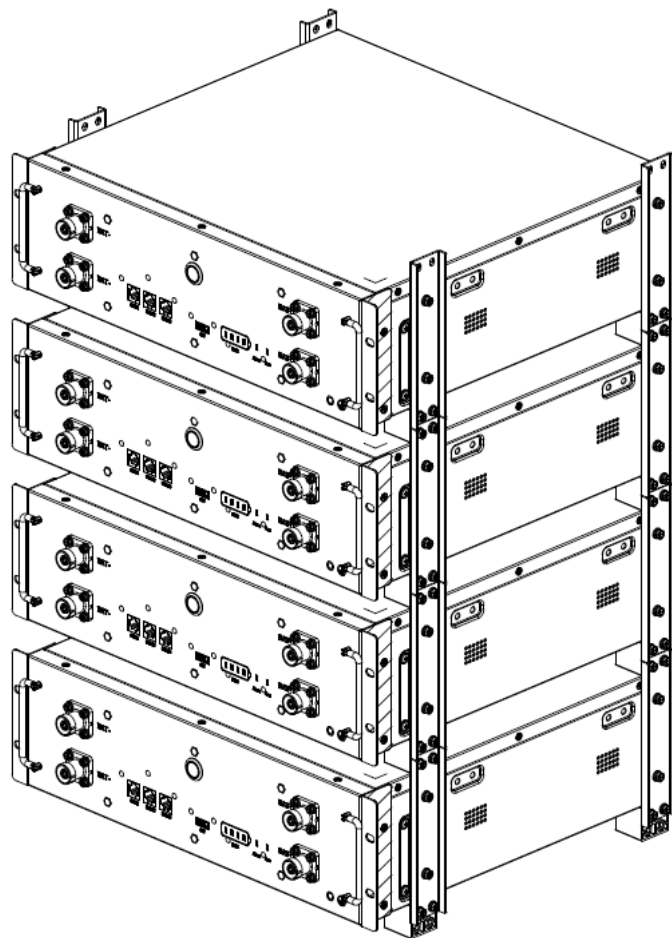


User Manual

Atrix 5/10/15/20 Series



Version: V1.1

Content

1	Safety precaution.....	1
1.1	Storage and installation environment.....	1
1.2	Battery safety guidelines.....	1
1.3	Warning signs and stickers.....	1
1.4	Emergency handling.....	2
2	Product Description.....	3
2.1	Product Introduction.....	3
2.2	Product appearance description.....	4
2.3	Panel LED description.....	5
3	Installation Guide.....	7
3.1	Installation site requirements.....	7
3.1.1	Environmental requirements.....	7
3.1.2	Physical installation requirements.....	9
3.1.3	Preparation of installation tools.....	11
3.1.4	Unboxing guid.....	11
3.2	Installation steps.....	12
4	Electrical connection.....	16
4.1	Grounding.....	16
4.2	Connector installation.....	16
4.3	Guide of electrical connection.....	17
4.4	Installation clearance.....	25
5	System commissioning.....	26
5.1	System power on.....	26
5.2	System power off.....	26
5.3	System configuration.....	27
6	Maintenance and troubleshooting.....	30
6.1	Routine maintenance.....	30
6.2	Fault checklist.....	30
7	Warehouse storage guidelines.....	32
7.1	Packaging guidelines.....	32
7.2	Storage.....	33
8	Dispose of used batteries.....	33
9	Detailed parameter.....	34

1 Safety precaution

Read the manual carefully and operate in accordance with the safety precautions. Refer to local safety regulations on items not covered in this manual. Electrical installation, maintenance must be performed by professional / qualified personnel.











1.1 Storage and installation environment







- Handle the product gently, prevent from dropping
- Avoid open flame; keep away from flammables, explosives or corrosive chemicals
- Choose cool and dry place for storage and installation
- Prevent from water or humid intrusion
- Prevent from accidental access (children and animals)
- Do not step on the product packaging
- Do not place any foreign objects on top of the battery pack
- Do not store the battery pack upside down

1.2 Battery safety guidelines

- Prevent from electrostatic discharge
- Wear insulating gloves when handling batteries.
- Do not energize auxiliary power during installation
- Check the polarity carefully before switching on the system
- Defected or damaged batteries shall not be charged or discharged

1.3 Warning signs and stickers

	Warning generic hazard		DO not mix with domestic
	Warning High Voltage - Electrical shock hazard		Please recycle
	No flame		This side up
	No stepping on		User manual
	Warning High temperature		Protective Earth (connector)

	Warning High Voltage Wait 5 min till fully discharged		Protective Earth (general identification)
	Do not short circuit (cut off power)		Keep away from children
	Fragile		Do not get wet

1.4 Emergency handling

Wear personal protective equipment (PPE) such as goggle, facemask, insulated gloves and boots. Evaluate the situation before taking remedy action. When it is safe to do so, disconnect external AC or DC power connection.

Damaged or deformed battery enclosure

Risk of chemical leakage (i.e. electrolyte) and internal short-circuit.



Warning

Deformed or severely damaged battery pack can lead to piercing of cell pouch (chemical leakage) or internal short-circuit (thermal runaway). The damaged battery pack can release toxic gas. Keep away from it.

In case of accidental skin contact, wash the skin thoroughly with soap and seek medical advice. For eye contact, wash under running water (~15 minutes) and require immediate medical attention.

Fire hazard

If the fire is not from the battery or not spread to the battery, use FM-200 or CO₂ fire extinguisher to put out the fire.

If the battery pack catches fire, do not attempt to put out the fire and evacuate immediately.

Seek medical in case of inhalation of pungent and toxic fumes.

Keep damaged batteries isolated and call your local fire department. Contact service for further support.

Note:

1. If a fire occurs during battery charging, disconnect the battery pack circuit breaker and cut off the power supply for charging under safe conditions.
2. If the battery string does not catch fire, extinguish the fire before the battery string catches fire.
3. If the battery pack catches fire, do not attempt to extinguish the fire. Evacuate immediately.

Water damage

Risk of electric shock and internal short-circuit. In case of splash or water spillage, when it is safe to do so, dry the product. If any part of the battery system is submerged, keep away from water.

Do not reuse the submerged battery. Contact a service for support.

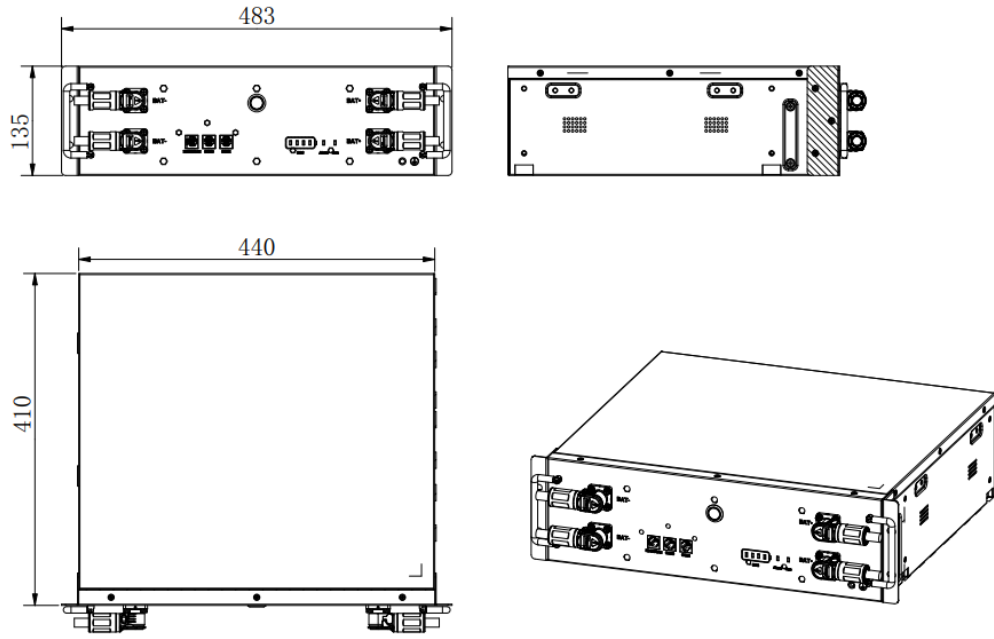
2.2 Product appearance description

Product size chart:

The battery module size diagram and effect diagram are shown in the following figure:

Size: W*D*H=440*410*135 mm

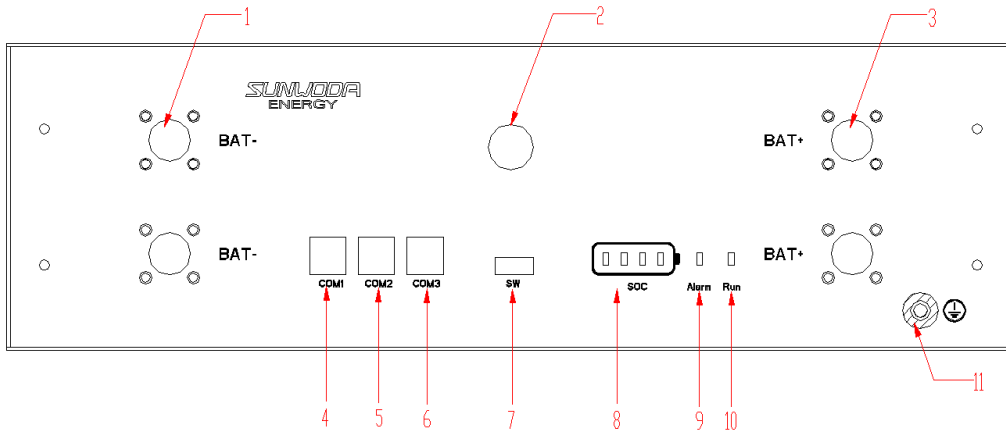
Weight: 45kg



Dimensions of module



Battery module diagram



Product Front Panel Definition:

NO	Item	Function	Note
1	BAT-	Battery output negative interface	
2	POWER	Battery module switch button	
3	BAT+	Battery output positive interface	
4	COM1	Communication interface with PCS	RS485&CAN
5	COM2	Automatic addressing and internal CAN communication interface	
6	COM3	Automatic addressing and internal CAN communication interface	
7	SW	One-key open interface	
8	SOC	Battery module SOC indicator LED light	
9	Alarm	Battery module fault LED light	
10	Run	Battery module running LED light	
11	PE	Battery module ground hole	

2.3 Panel LED description

On the battery panel, 6 LED indicators indicate the current SOC, warning or operating status of the battery.

battery status		Power LED (from low to high)				Alarm	RUN	Priority
Shutdown								
Battery charging	0% -25% battery capacity	★	★	★	★		●	
	26% -50% battery capacity	●	★	★	★		●	
	51% -75% battery capacity	●	●	★	★		●	

	76% -99% battery capacity	●	●	●	★		●	
	100% battery capacity	●	●	●	●		●	
Battery discharge	1% -25% battery capacity	●					●	
	26% -50% battery capacity	●	●				●	
	51% -75% battery capacity	●	●	●			●	
	76% -99% battery capacity	●	●	●	●		●	
	3% battery capacity	★					●	
Conservancy	Battery protection					●	●	
Malfunction	Battery failure					●		
<p>Note: ● indicates constant light, ★ indicates flashing, and the indicator light flashes at a frequency of 1Hz If there is a panic light on the battery, you can log in to the PowerLite APP to view the fault information and contact the supplier</p>								

3 Installation Guide

3.1 Installation site requirements

3.1.1 Environmental requirements

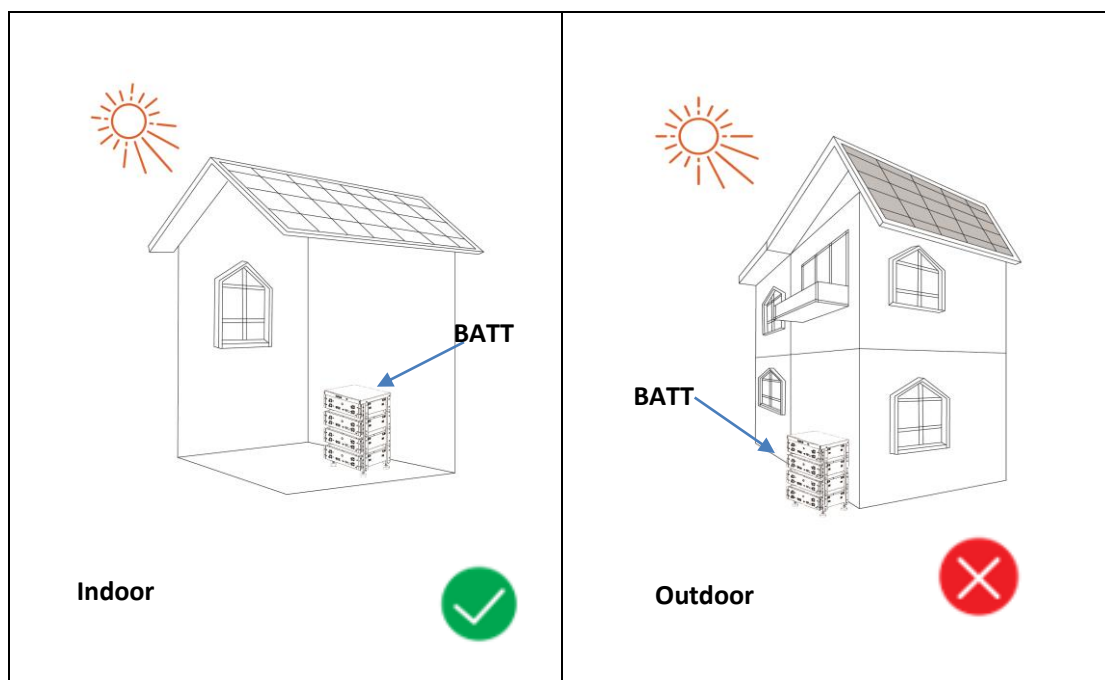
- Ambient temperature: $-10^{\circ}\text{C} \sim +50^{\circ}\text{C}$ (recommended: $10^{\circ}\text{C} \sim 35^{\circ}\text{C}$ or $50^{\circ}\text{F} \sim 95^{\circ}\text{F}$).
- Ambient humidity: 10-95%.
- Altitude < 4000 meters.
- For indoor installation
 - Avoid direct sunlight
 - Avoid rain and snow
 - Avoid flood-prone locations
 - Install under shed if possible
 - 600mm of clearance from doors, windows, driveways
 - Keep away from heating equipment.
 - Protection against corrosive chemicals
 - Prevent water from spilling
- Consider locations with ventilation fans, smoke, heat or combustible gas detectors.



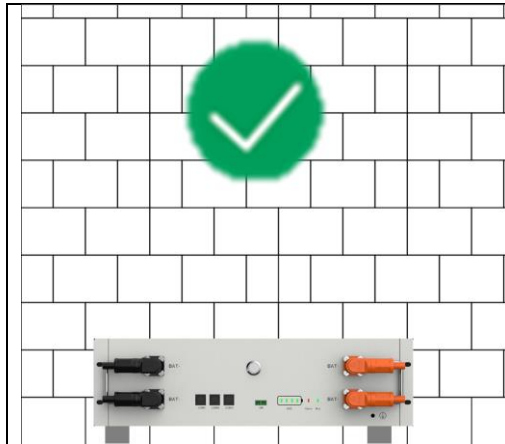
Warning!

Using Atrix outside the recommended temperature range may cause irreversible damage to it.

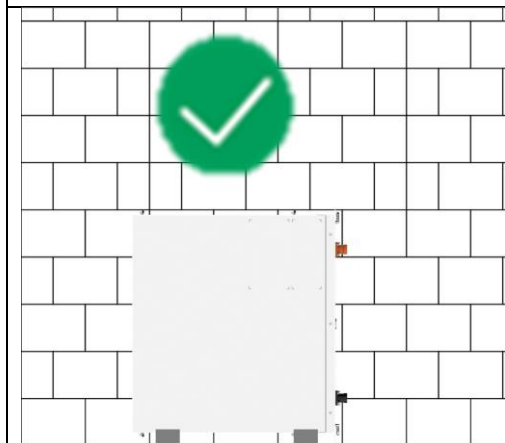
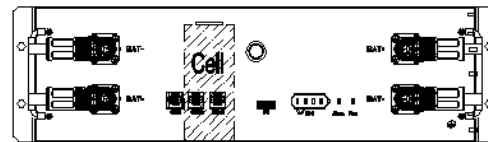
Note: If Atrix is used below 10 degrees or above 40 degrees, the charging and discharging current of Atrix may decrease.



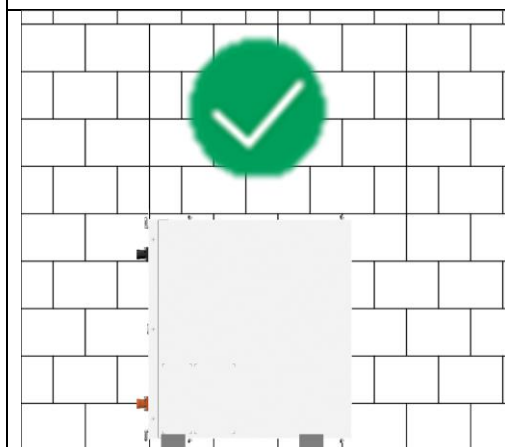
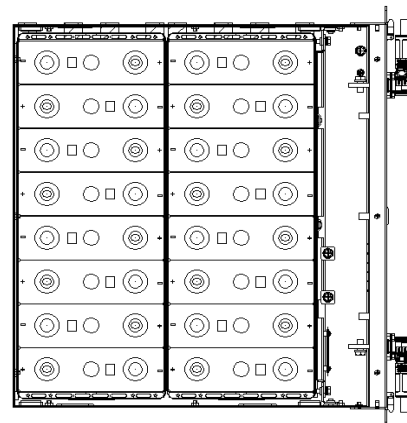
Please refer to the following for the installation orientation of the battery.



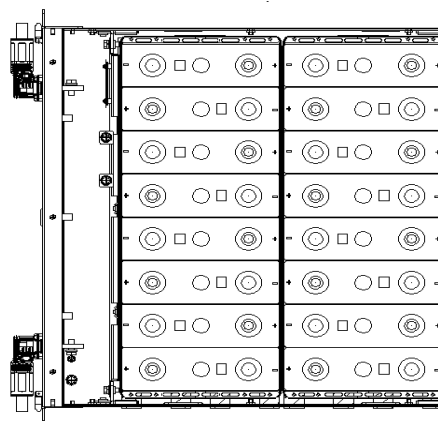
Horizontal placement

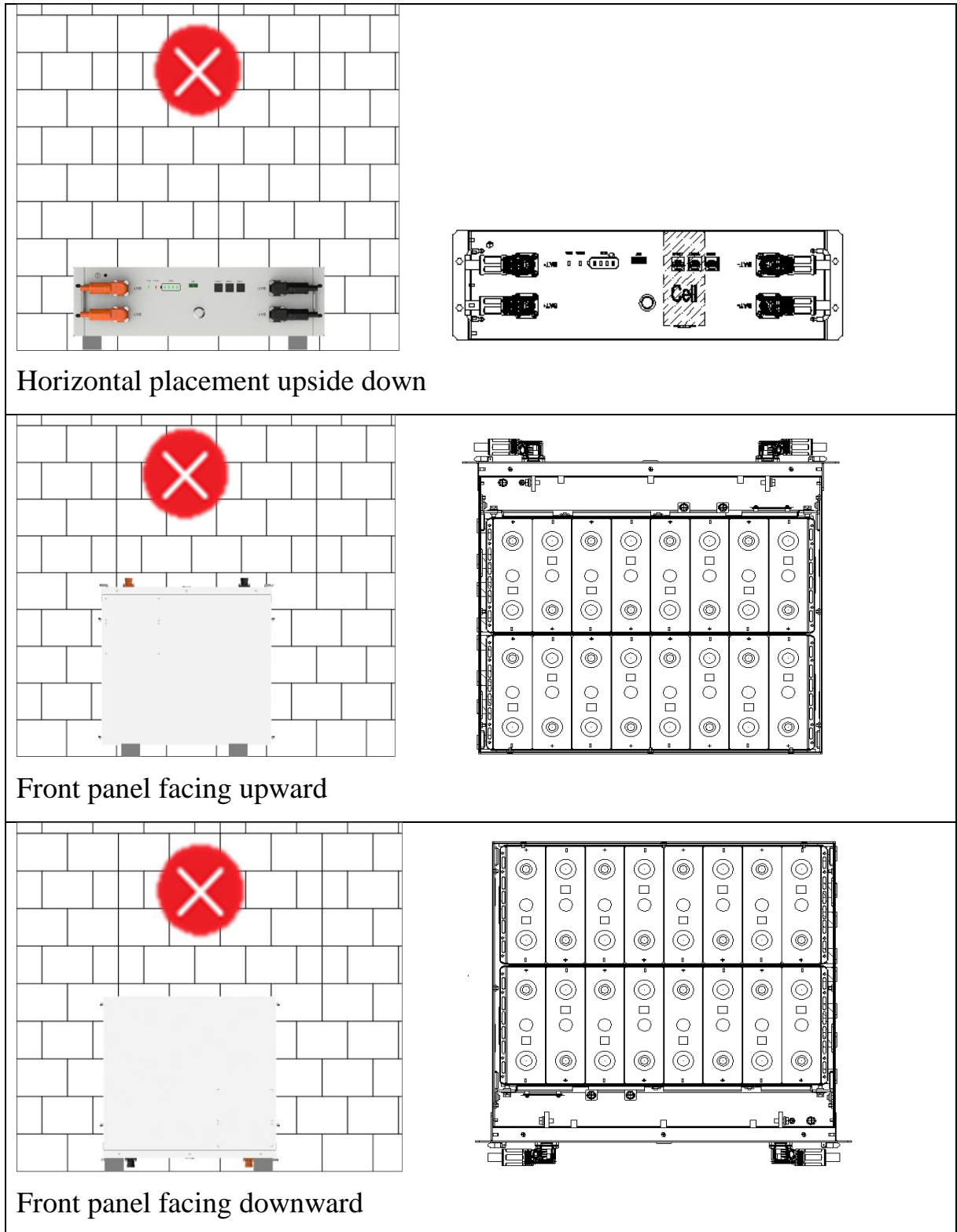


Front panel facing right



Front panel facing left

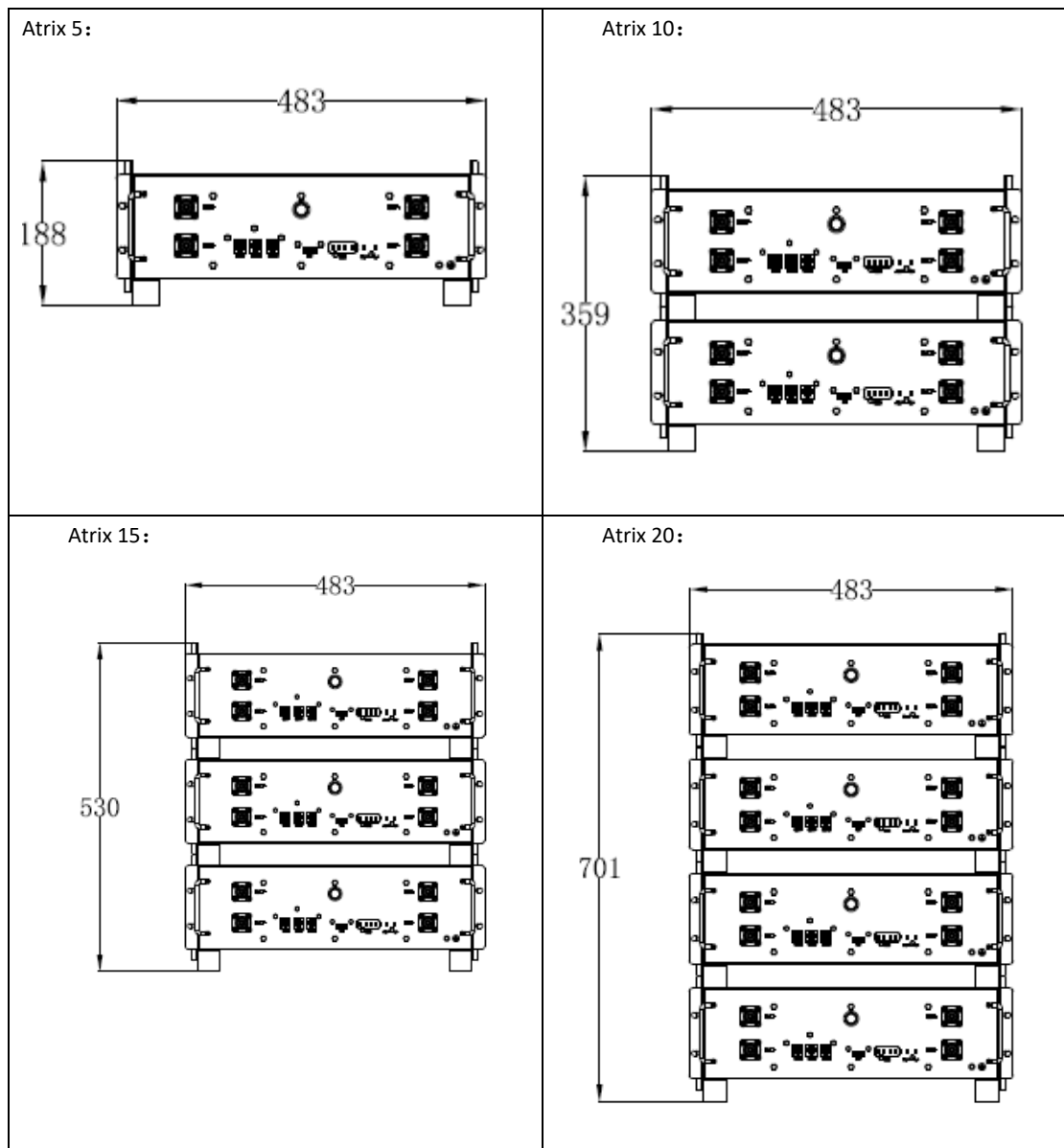




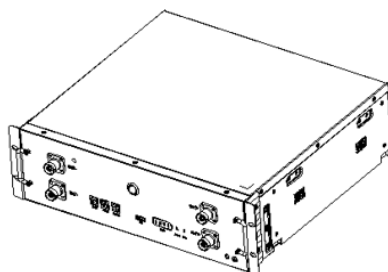
3.1.2 Physical installation requirements

This simple rack is optional. Assuming that the client has a cabinet or rack designed to meet the standard 19 inch and 3U height installation, it is not necessary to choose this suggestion and ignore the following installation methods.

a. Product installation dimensions







b. Weight



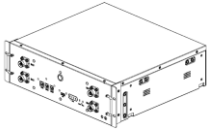

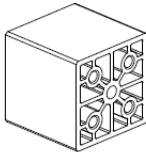

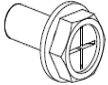
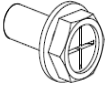
⚠ 45kg (99.2lbs), for 2 persons

3.1.3 Preparation of installation tools





Tools			
 <p>Electric screwdriver (M5 sleeve)</p>	 <p>Wrench</p>		

Personal Protective Equipment			
 <p>Safety gloves</p>	 <p>safety shoes</p>		




3.1.4 Unboxing guid

Unpacking checklist			
 <p>Battery module</p>	 <p>Data module (Optional accessory)</p>	 <p>Feet</p>	 <p>Racks</p>
 <p>M5*10 screw</p>	 <p>M6*14 ground screw</p>		

Wiring Harness kit Packaging Components Between Battery module

 <p>Positive wire harness X1</p>	 <p>Negative wire harness X1</p>	 <p>PCS-RS485/CAN communication cable X1</p>	 <p>Power on cable X1</p>
---	---	--	--

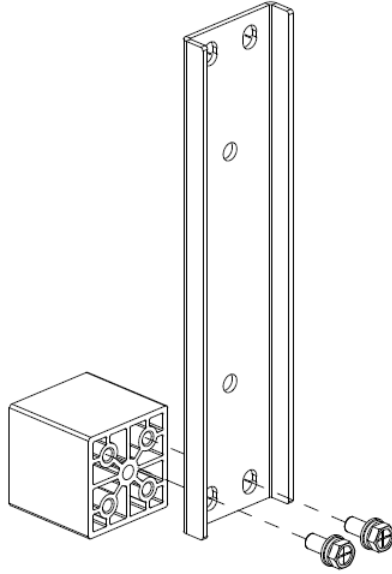
System wiring harness kit Packaging Components

 <p>Positive wire harness X1</p>	 <p>Negative wire harness X1</p>	 <p>PCS-RS485/CAN communication cable X1</p>
--	--	--

3.2 Installation steps

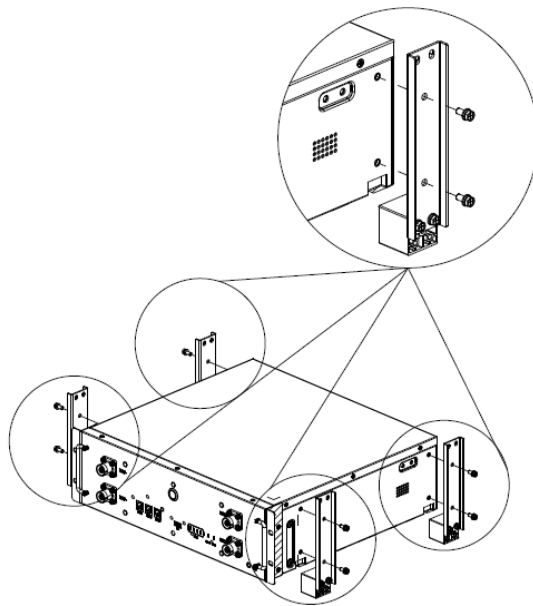
1) Feet rack installation

Take out the 4PCS feet and racks to install.



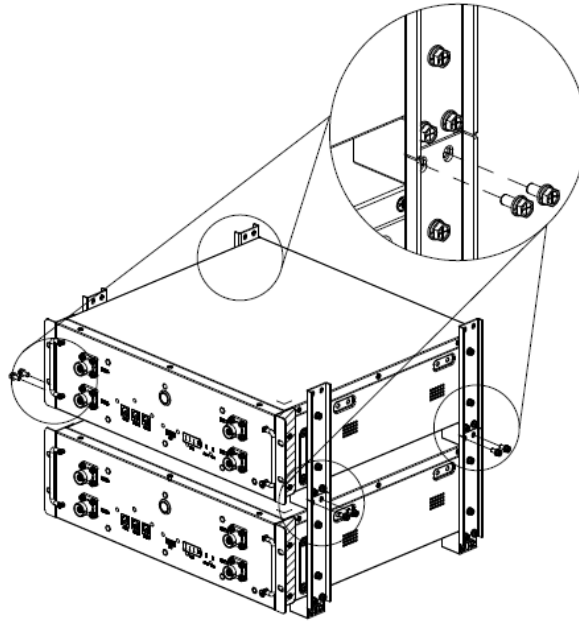
2) Rack installation

Install simple racks on both sides of the battery module (including simple racks with feet)

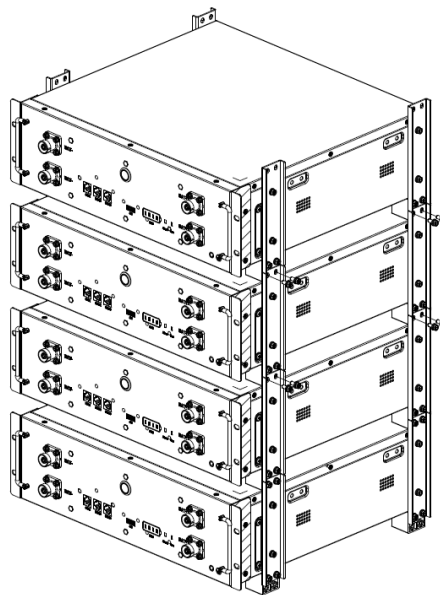


3) Battery module installation

- a. Lay the battery module with simple rack (including feet) on the horizontal floor (Adjust feet to make the battery module horizontal if the floor is not flat).
- b. Install other battery modules with simple rack one on one. Fix the structure with M5*10 screw after the stack-up.



- a. A maximum of four battery modules are stacked based on the system capacity.



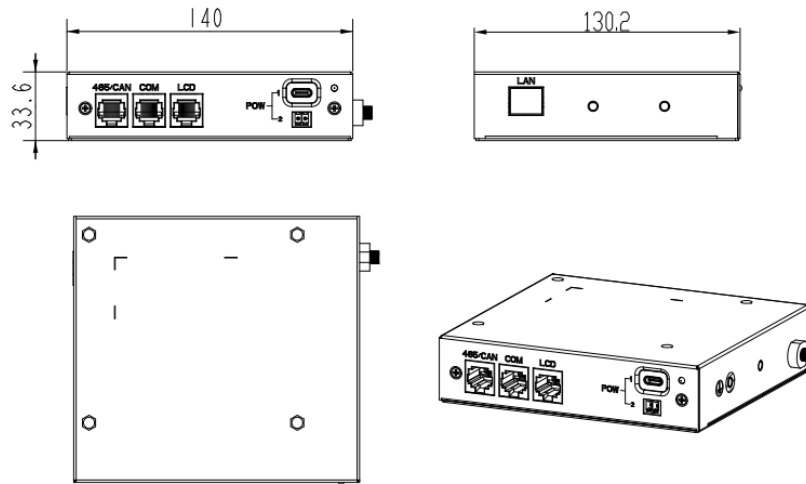
4) Data module installation (Optional)

- ◆ Function and operation introduction of data module:

- 1) Display control of LCD screen or segment code screen
- 2) Communication between battery and PCS
- 3) Remote operation, parameter set, software update
- 4) Compatible with multi series of rack product
- 5) Selection is based on requirements of customer and system

- ◆ Dimension and appearance of data module

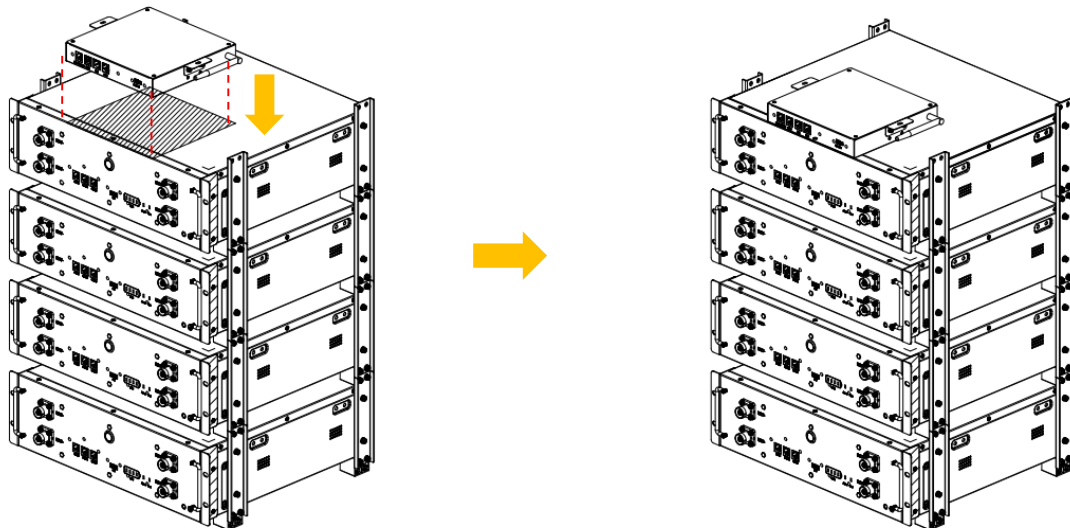
Dimension: Width*Depth*Height=140*130*33.6 mm



Dimension of data module

◆ Installation steps

According to the data module manual, install the data module on the top of battery module. As shown in below.



Note: Neglect this step if data module is not purchased.

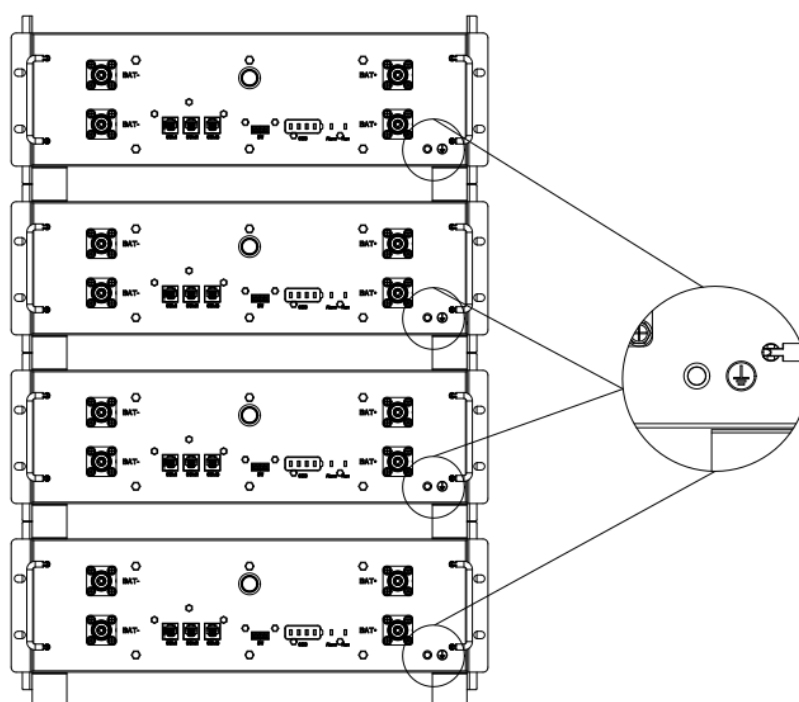
4 Electrical connection

4.1 Grounding

Grounding point

Join the product ground point to the ground point nearby. The recommended grounding cable specifications are as follows.

Ground cable	12AWG (yellow-green)
Ring terminal	M6
Screw	M6

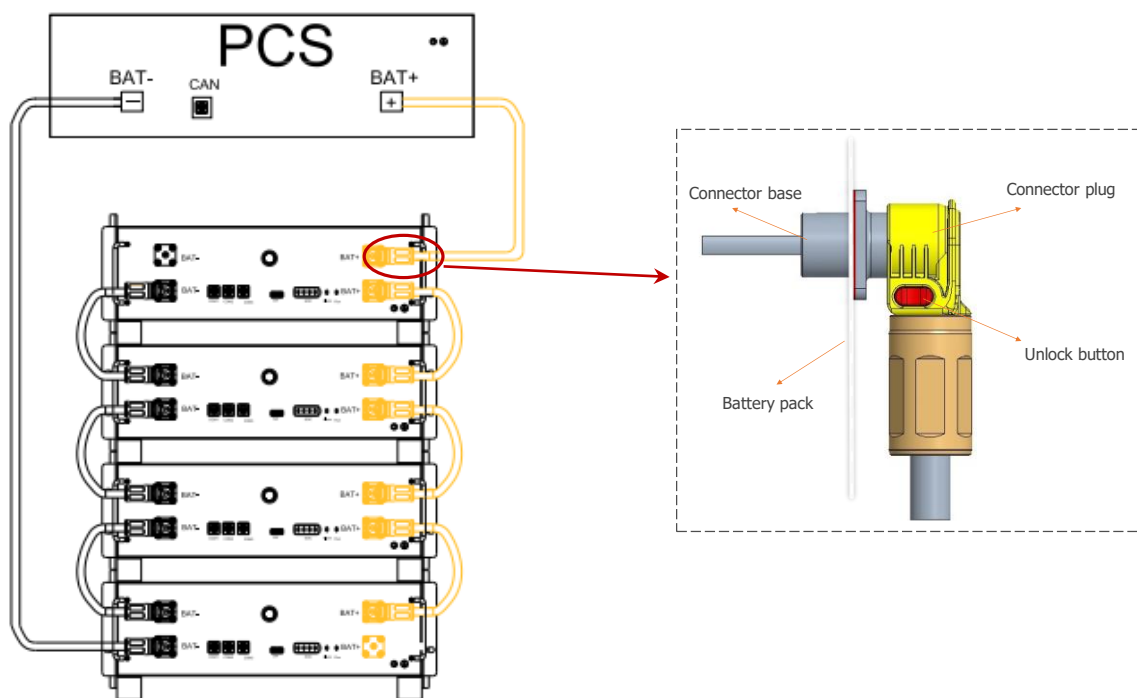


4.2 Connector installation

a. Schematic diagram of power cable as shown in below.

b. Connector installation instructions

The power cable connection is shown in the figure, press and hold the red unlock button, and there is a clicking sound for the plug connection.



4.3 Guide of electrical connection

Ensure the safe operation of the system, must select the appropriate system model and power cable in compliance with the output power of inverter. Recommended the specifications as table below:

Table 4-1

Output Power	Cable Specifications/ Current-carrying capacity	Matching minimum system capacity
3-5KW	3AWG/105A	5KWh
6-11kw	1/0AWG/211A	10-15KWh
≥12KW	1/0AWG/211A (BAT- bus box) +2/0AWG/266A (bus box –PCS) + bus box	20KWh

Take out the pre-made CAN/RS485 communication cable from the package and connect one end to battery CAN port and then connect another end to the inverter CAN/RS485 communication port.



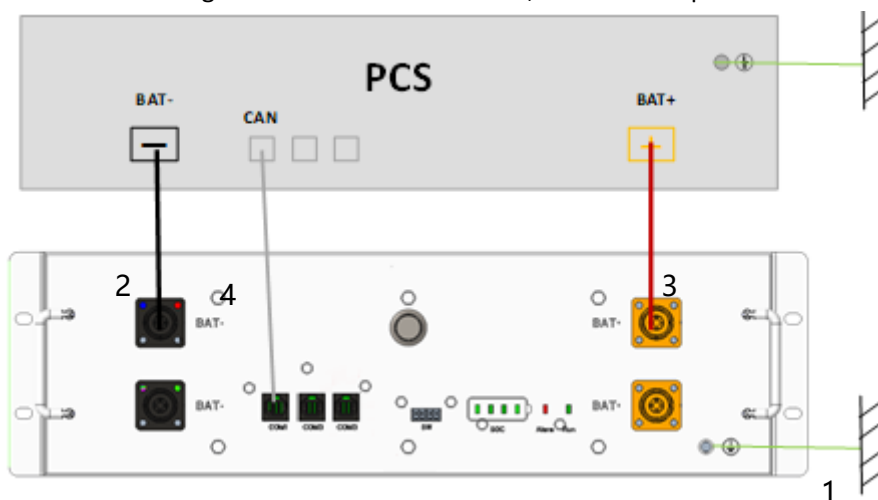
Note:

Before connecting CAN cable with the inverter, please check the communication pin sequence of battery the matches with inverter ; If it does not match, you need to cut off the RJ45 connector at one end of the communication cable and adjust the pin sequence according to the pin definitions of both battery and inverter.

Pin definition of battery interface COM1 is following:

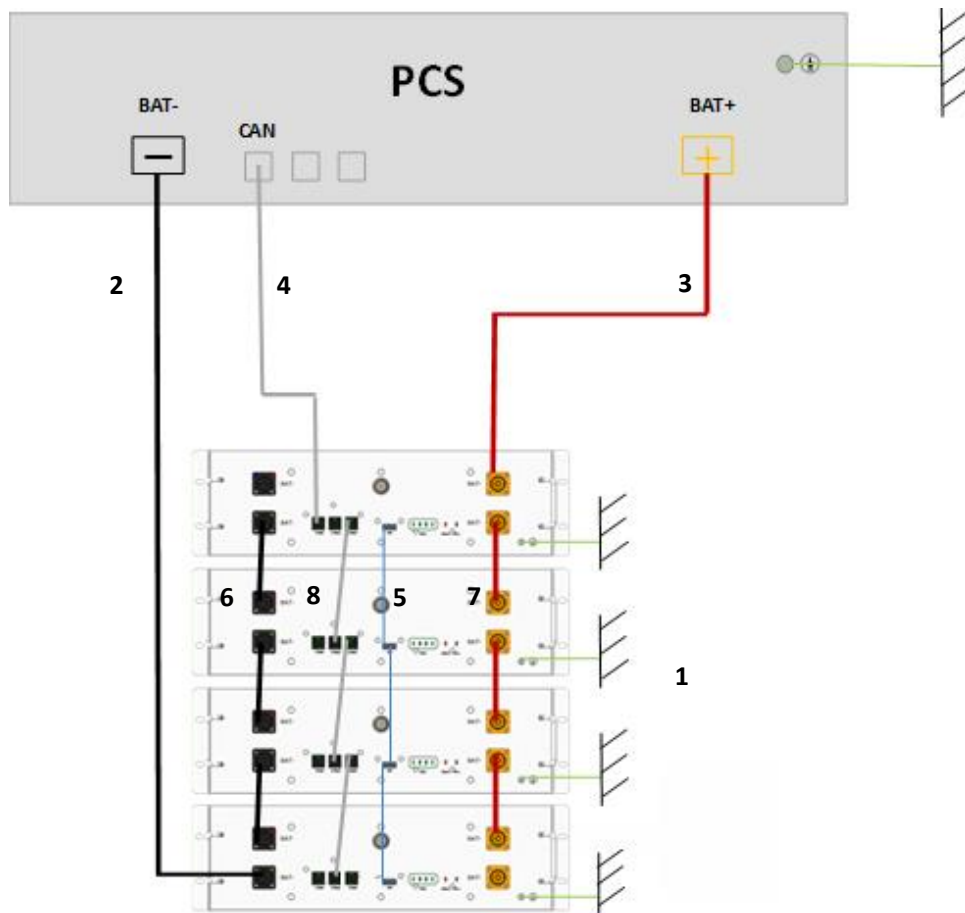
Color	Port	Pin	Function
Orange-white		1	RS485A
Orange		2	RS485B
Green- white		3	
Blue		4	CANH
Blue- white		5	CANL
Green		6	
Brown-white		7	
Brown		8	

Electrical connection for single module shown as follows, PCS: 51.2V input



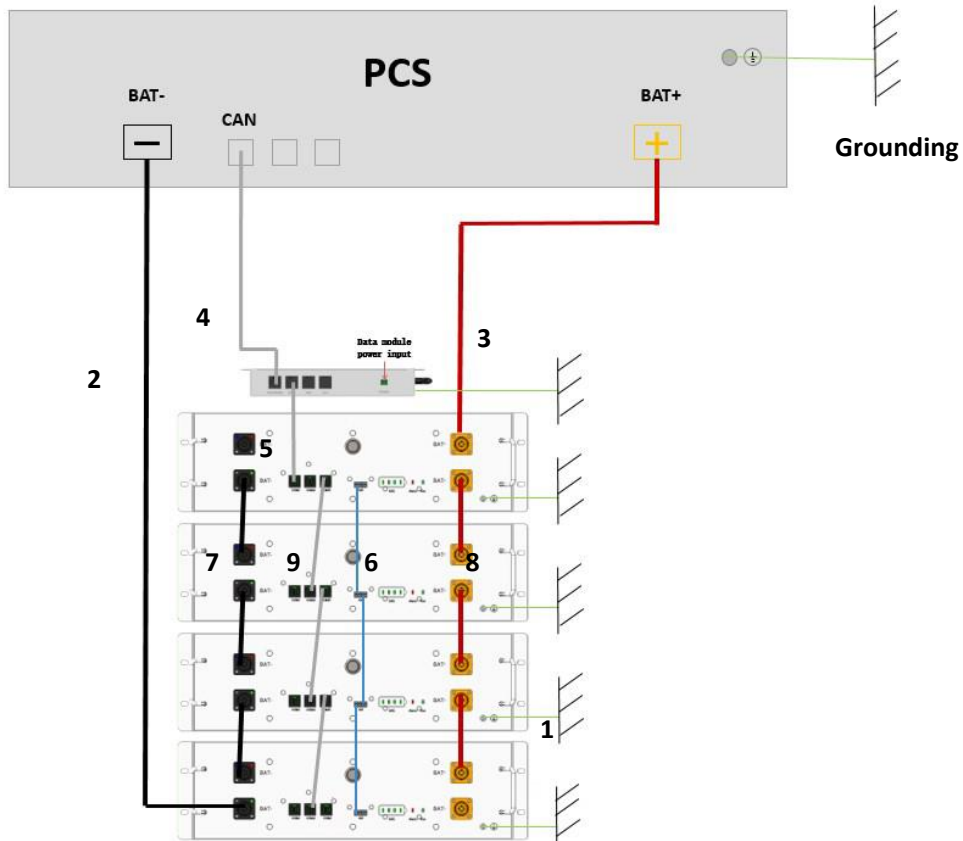
No.	Electrical connection	Wire specifications	Mark
1	Battery module grounding	Non	With grounding terminal
2	Connect the battery negative with PCS negative, typical color BLACK	Refer to Table 4-1	PCS- to BAT-
3	Connect the battery positive with PCS positive, typical color ORANGE	Refer to Table 4-1	PCS+ to BAT+
4	Connect the battery with PCS-CAN, typical color GRAY	8P8C Type 5 Shielded network cable	BAT-CAN to PCS-CAN

One cluster of parallel connection shown as follows, PCS: 51.2V input



No.	Electrical connection	Wire specifications	Mark
1	Battery module grounding	Non	With grounding terminal
2	Connect the battery negative with PCS negative, typical color BLACK	Refer to Table 4-1	PCS- to BAT-
3	Connect the battery positive with PCS positive, typical color ORANGE	Refer to Table 4-1	PCS+ to BAT+
4	Connect the battery with PCS-CAN, typical color GRAY	8P8C Type 5 Shielded network cable,2000mm	BAT-CAN to PCS-CAN
5	Connection with one-button power on function, paired connection	Power on cable,250mm	/
6	Negative wiring between battery modules, typical color BLACK	Refer to Table 4-1	BAT- to BAT-
7	Positive wiring between battery modules, typical color ORANGE	Refer to Table 4-1	BAT+ to BAT+
8	Connect the battery with BAT-CAN, typical color GRAY	8P8C Type 5 Shielded network cable,220mm	BAT-CAN to BAT-CAN

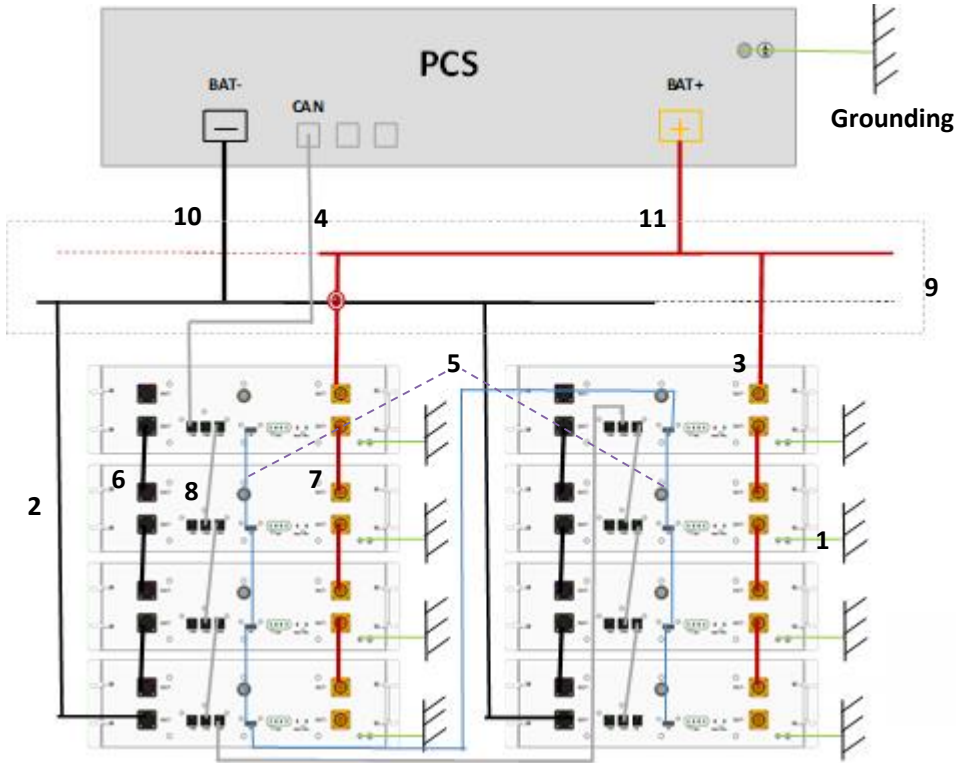
One cluster of parallel connection with data module shown as follows (Optional for data module),
PCS: 51.2V input



No.	Electrical connection	Wire specifications	Mark
1	Battery module grounding	Non	With grounding terminal
2	Connect the battery negative with PCS negative, typical color BLACK	Refer to Table 4-1	PCS- to BAT-
3	Connect the battery positive with PCS positive, typical color ORANGE	Refer to Table 4-1	PCS+ to BAT+
4	Connect the data module with PCS-CAN, typical color GRAY	8P8C Type 5 Shielded network cable,2000mm	PCS-CAN to TBOX-CAN
5	Connect the battery module with data module, typical color GRAY	8P8C Type 5 Shielded network cable	TBOX-CAN to BAT-CAN
6	Connection with one-button power on function, paired connection	Power on cable,250mm	/
7	Negative wiring between battery modules, typical color BLACK	Refer to Table 4-1	BAT- to BAT-
8	Positive wiring between battery modules, typical color ORANGE	Refer to Table 4-1	BAT+ to BAT+

9	Connect the battery with BAT-CAN, typical color GRAY	8P8C Type 5 Shielded network cable,220mm	BAT-CAN to BAT-CAN
---	--	--	--------------------

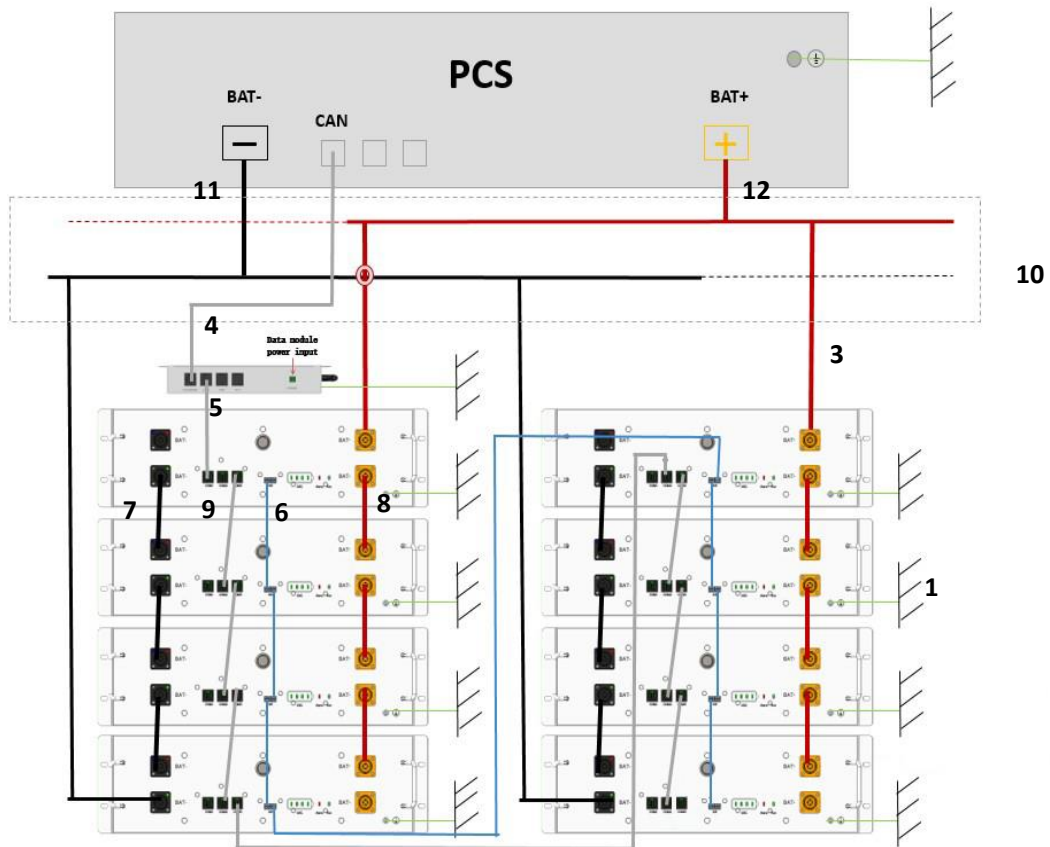
Two clusters of parallel connection shown as follows, PCS: 51.2V input



No.	Electrical connection	Wire specifications	Mark
1	Battery module grounding	Non	With grounding terminal
2	Connect the battery negative with combiner box negative bus-bar, typical color BLACK	Refer to Table 4-1	Bar-bus- to BAT-
3	Connect the battery positive with combiner box positive bus-bar, typical color ORANGE	Refer to Table 4-1	PCS+ to BAT+
4	Connect the battery with PCS-CAN, typical color GRAY	8P8C Type 5 Shielded network cable,220mm	BAT-CAN to BAT-CAN
5	Connection with one-button power on function, paired connection	Power on cable,250mm	/
6	Negative wiring between battery modules, typical color BLACK	Refer to Table 4-1	BAT- to BAT-

7	Positive wiring between battery modules, typical color ORANGE	Refer to Table 4-1	BAT+ to BAT+
8	Connect the battery with BAT-CAN, typical color GRAY	8P8C Type 5 Shielded network cable,220mm	BAT-CAN to BAT-CAN
9	Combiner box	/	
10	Connect the combiner box with PCS negative, typical color BLACK	Refer to Table 4-1	BAT- to BAT-
11	Connect the combiner box with PCS positive, typical color ORANGE	Refer to Table 4-1	BAT+ to BAT+

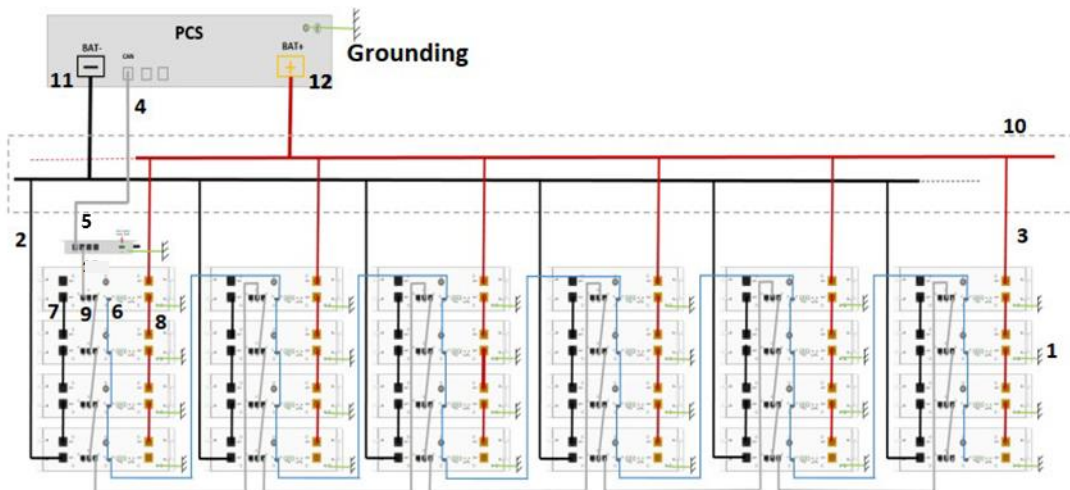
Two clusters of parallel connection with data module shown as follows, (Optional for data module), PCS: 51.2V input



No.	Electrical connection	Wire specifications	Mark
1	Battery module grounding	Non	With grounding terminal
2	Connect the battery negative with combiner box negative bus-bar, typical color BLACK	Refer to Table 4-1	Bar-bus- to BAT-

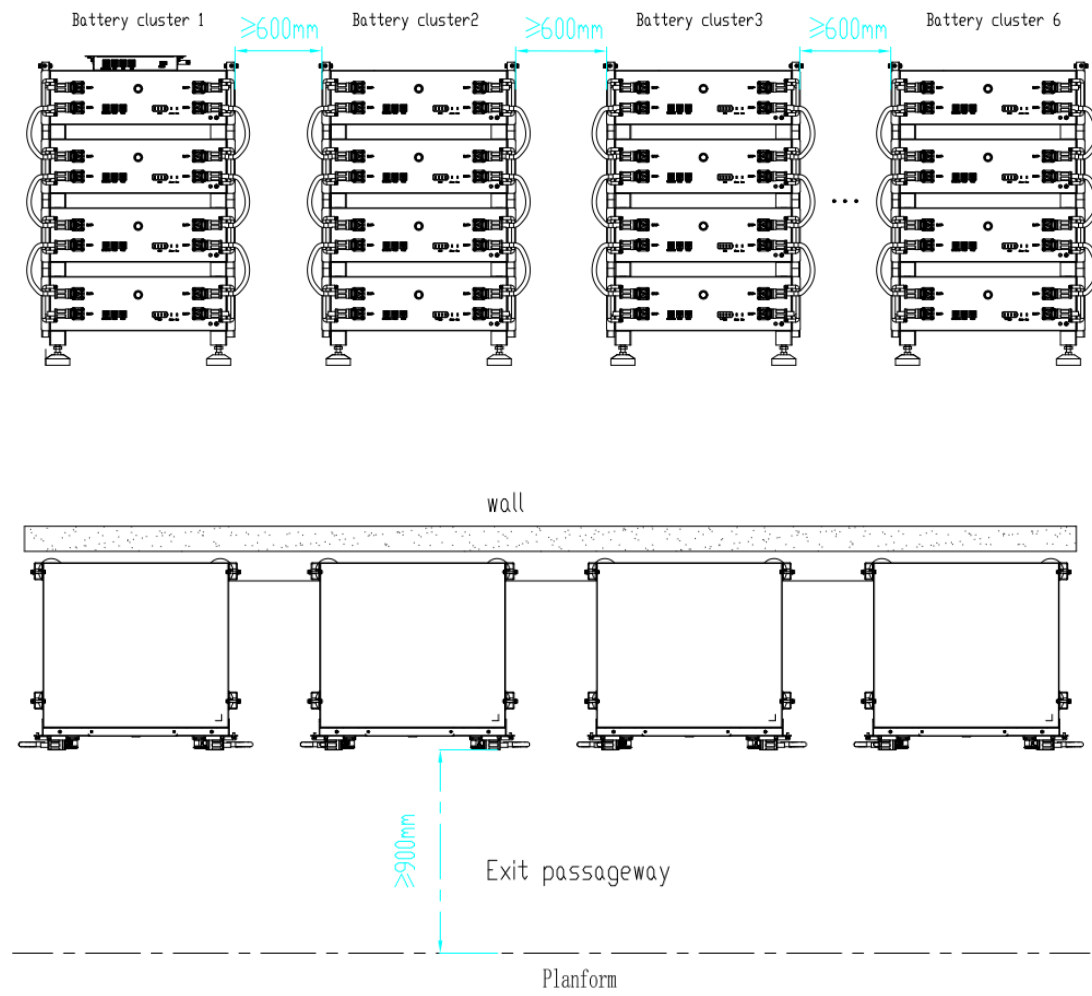
3	Connect the battery positive with combiner box positive bus-bar, typical color ORANGE	Refer to Table 4-1	PCS+ to BAT+
4	Connect data module with PCS-CAN, typical color GRAY	8P8C Type 5 Shielded network cable,2000mm	TBOX-CAN to PCS-CAN
5	Connect the battery module with data module, typical color GRAY	8P8C Type 5 Shielded network cable	TBOX-CAN to BAT-CAN
6	Connection with one-button power on function, paired connection	Power on cable,250mm	/
7	Negative wiring between battery modules, typical color BLACK	Refer to Table 4-1	BAT- to BAT-
8	Positive wiring between battery modules, typical color ORANGE	Refer to Table 4-1	BAT+ to BAT+
9	Connect the battery with BAT-CAN, typical color GRAY	8P8C Type 5 Shielded network cable,220mm	BAT-CAN to BAT-CAN
10	Combiner box	/	
11	Connect the combiner box with PCS negative, typical color BLACK	Refer to Table 4-1	BAT- to BAT-
12	Connect the combiner box with PCS positive, typical color RED	Refer to Table 4-1	BAT+ to BAT+

Up to 6 groups clusters of parallel connection with data display box shown as follows, (Required for data display box), PCS: 51.2V input



No.	Electrical connection	Wire specifications	Mark
1	Battery module grounding	Non	With grounding terminal
2	Connect the battery negative with combiner box negative bus-bar, typical color BLACK	Refer to Table 4-1	Bar-bus- to BAT-
3	Connect the battery positive with combiner box positive bus-bar, typical color ORANGE	Refer to Table 4-1	Bar-bus+ to BAT+
4	Connect display box with PCS-CAN, typical color GRAY	8P8C Type 5 Shielded network cable,2000mm	TBOX-CAN to PCS-CAN
5	Connect the battery module with display box, typical color GRAY	8P8C Type 5 Shielded network cable	TBOX-CAN to BAT-CAN
6	Connection with one-button power on function, paired connection	Power on cable,250mm	/
7	Negative wiring between battery modules, typical color BLACK	Refer to Table 4-1	BAT- to BAT-
8	Positive wiring between battery modules, typical color ORANGE	Refer to Table 4-1	BAT+ to BAT+
9	Connect the battery with BAT-CAN, typical color GRAY	8P8C Type 5 Shielded network cable,220mm	BAT-CAN to BAT-CAN
10	Combiner box	/	
11	Connect the combiner box with PCS negative, typical color BLACK	Refer to Table 4-1	Bar-bus- to PCS-
12	Connect the combiner box with PCS positive, typical color RED	Refer to Table 4-1	Bar-bus+ to PCS+

4.4 Installation clearance



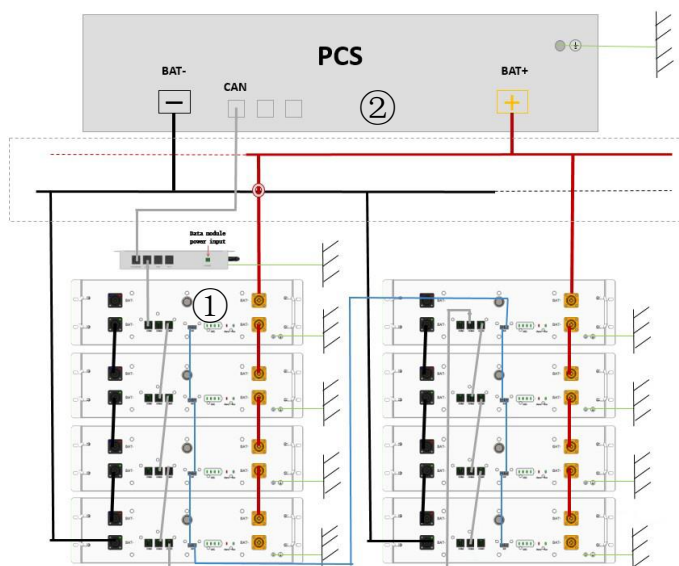
5 System commissioning



All cables should be connected properly.

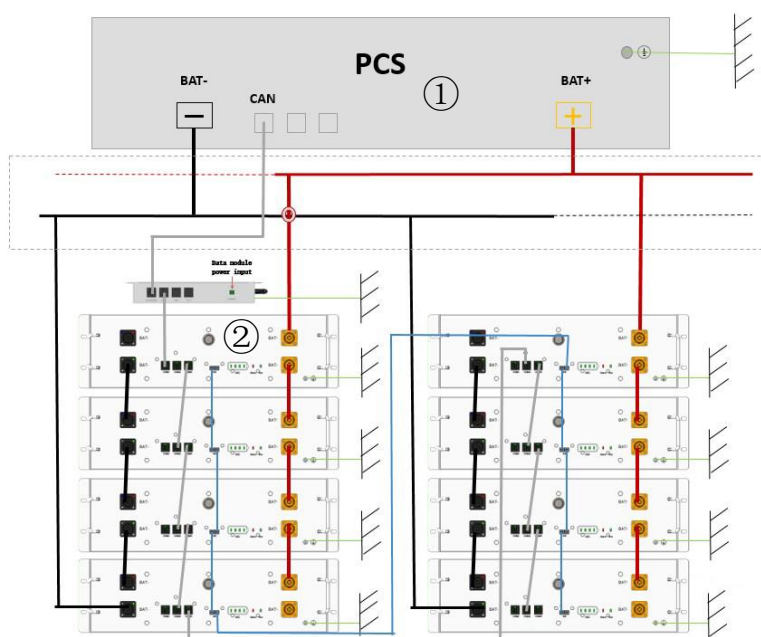
5.1 System power on

- ① Press the power button for more than 3 seconds to start the system, output voltage, and turn on the LED light
- ② Switch on the inverter (if inverter has the switch button)



5.2 System power off

- ① Switch off the inverter (if inverter has the switch button)
- ② Press the power button for more than 3 seconds, the system will shut down, and the LED light will turn off.



5.3 System configuration

If the data module is not installed, this section does not apply.

- a. Download and install PowerLite APP

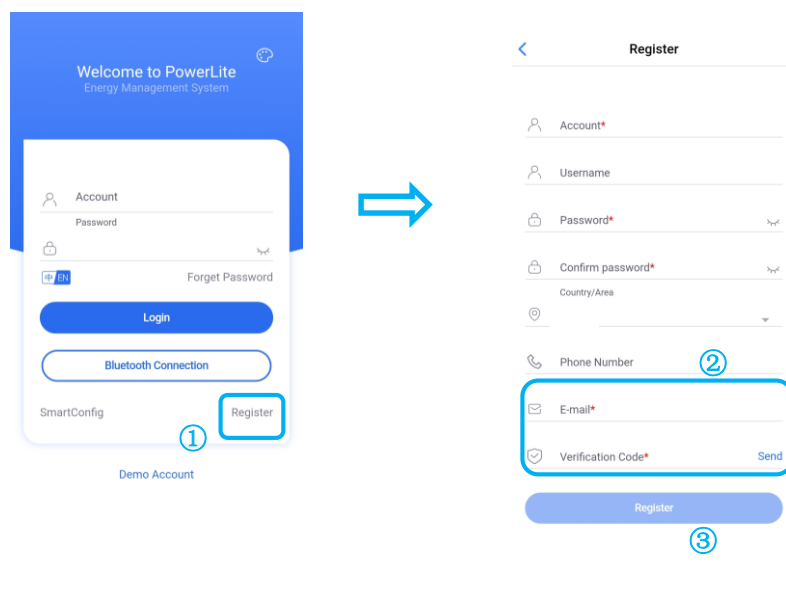
The battery parameter setting and remote monitoring can be realized through the APP software (PowerLite). Please go to the App Store or Google Play to search for "PowerLite" to download and install.

- b. Network configuration

- 1) Turn on the Wi-Fi and Bluetooth signal on your phone
- 2) Click Register to go to register an account



Enter the registration interface and fill in the information, after receiving the verification by email, enter the verification code to complete the registration.

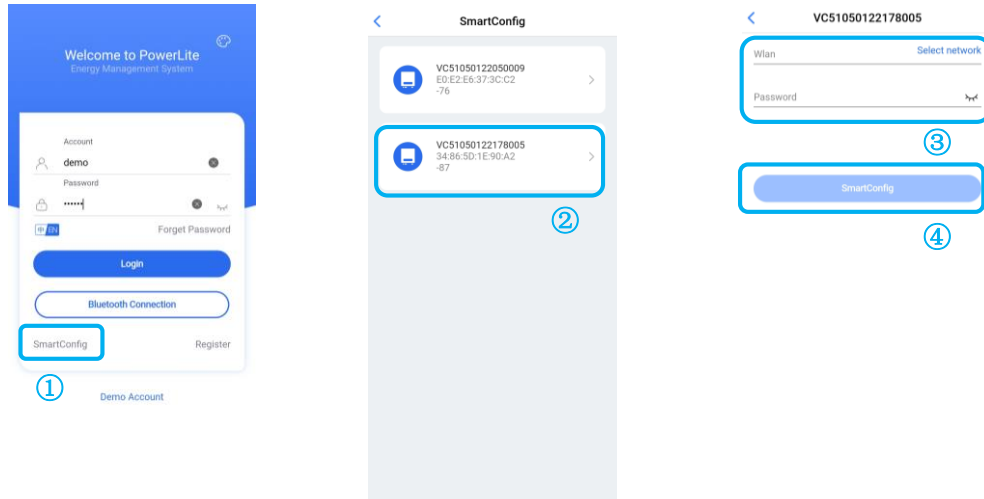


Note: If you have already registered a login account, please ignore this step.

- 3) Configure the network

(You can check the Bluetooth SN code of the battery device at the antenna position of the control module)

- ① Click "SmartConfig";
- ② Select the Bluetooth device corresponding to the battery;
- ③ Enter the WiFi network account and WiFi password;
- ④ Click "SmartConfig" to complete the networking, the APP displays the successful network configuration information and the WiFi icon on the display is always on, that is, the network configuration is completed.

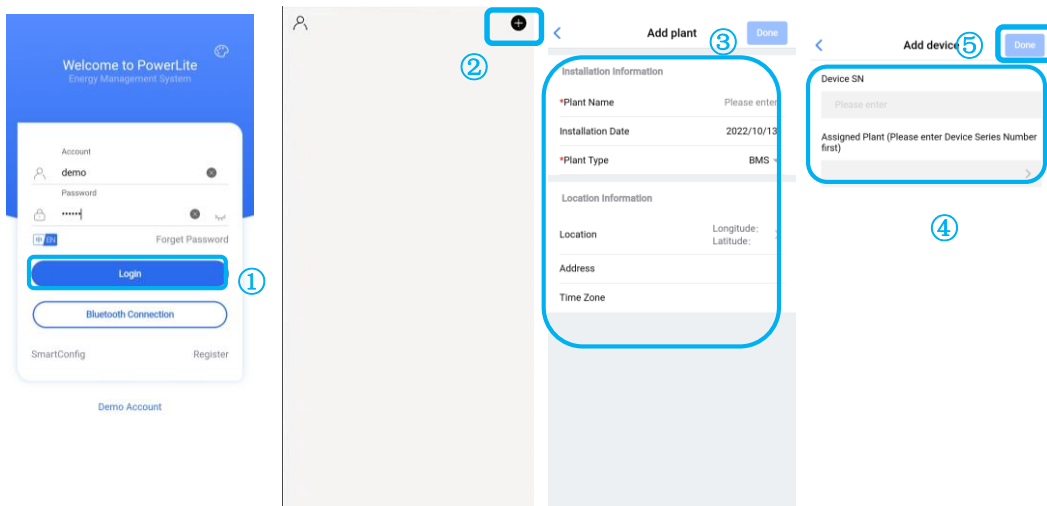


c. Add site/device

(Please check the battery equipment SN on the control module)

Enter the account, password and verification code.

- ① Click "Login" to log in;
- ② After logging in, click on the top right corner of the main interface to add a site;
- ③ After recommending a power station, then add equipment;
- ④ Select the SN code on the Data module to add;
- ⑤ And simultaneously click "Assigned Plant" to bind the battery equipment to the established power station, complete the site/device addition.



d. Select inverter manufacturer

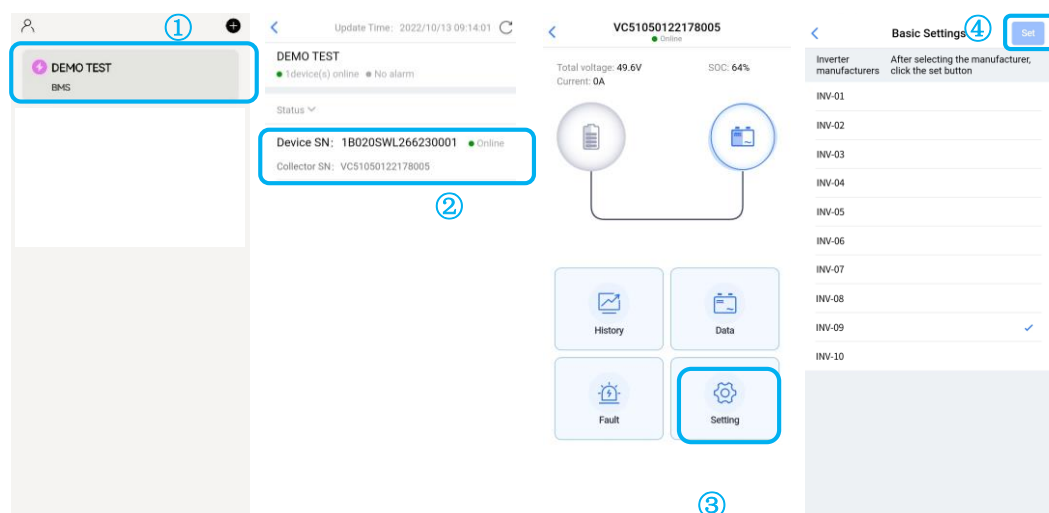
After the site/device is added successfully.

- ① Click to enter the corresponding site;

② Click the Bluetooth SN code of the battery device to enter the battery interface, and you can view the device data;

③ Click “Setting” to enter the inverter manufacturer interface for selecting the battery system configuration;

④ After the inverter manufacturer setting successfully, the system configuration is completed.



The battery can automatically identify and match the following inverter brand without manually setting the inverter.

Inverter manufactures	APP setting
Default	INV-01
Sacolar	INV-02
Goodwe	INV-03
Deye	INV-04
SMA	INV-05
Victron	INV-06
Solis	INV-07
Selectronic	INV-08
MEGAREVO	INV-09
LUXPOWER	INV-10
SRNE-RS485	INV-11
Voltronic-RS485	INV-12

6 Maintenance and troubleshooting

6.1 Routine maintenance

- Maintenance charge every 6 months

From the date of manufacturer shipment, the battery shall be maintained every 6 months. Action must be taken in case SOC reaches 10% according to the table below:

Ambient temperature	Must be recharged within
(45, 50] °C	7 days
(35, 45] °C	15 days
≤35°C	30 days

- Disconnect the battery if not being used

BMS consumes power even when the battery is not being used. Disconnect the battery output to prevent the battery from becoming empty. For store-away, make sure the SOC is between 45% and 55% before disconnect.

- Check the battery system regularly. Contact your support if any anomaly detected.

6.2 Fault checklist

Fault	Cause	Solution
POWER button no response	1. Damaged POWER button 2. Damaged cable or poor contact	1. Repair or replace the battery module 2. Please contact the supplier
Short discharge time	Battery SOC is low	Charge the system in time. Keep the SOC exceeds the minimum protection energy value
	Low ambient temperature	Guarantee the product working under the recommended temperature range
	Product overload	Check load status and remove non-essential loads
	Batteries age and capacity decreases	Please contact the supplier to replace the battery and its components
Unable to charge and discharge	Internal failure	Log in to the PowerLite APP to view the fault information and contact the supplier
	Battery report charging or discharging protection failure	Log in to the PowerLite APP to view the fault information and contact the supplier
	After the battery is discharged to the SOC protection value, it needs to be charged for a period of time before it is allowed to discharge.	The battery is charged to the SOC value set by the restart
	Battery over temperature	Stand at room temperature for more than 3 hours
The system is powered on, but the LED cannot be lit	LED failure	Please contact the supplier to repair or replace the battery module

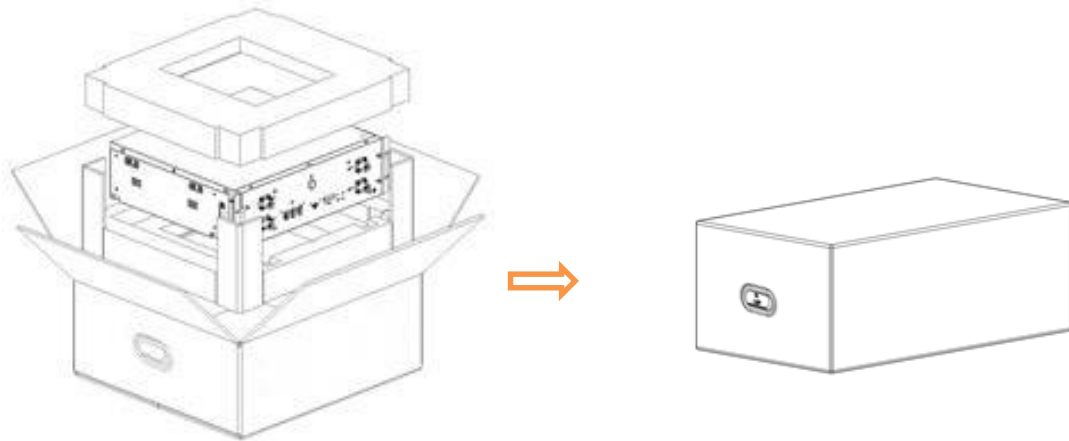
The LED cannot wake up during system operation	1. If the LED is off, the POWER button is faulty or the button wiring is loose 2. If the LED still does not light up after restarting, the LED is faulty	Please contact the supplier to repair or replace the battery module
Abnormal battery communication	Communication disconnection	Check whether the battery stack is installed reliably.
The heater works abnormally	Heating circuit failure	Log in to the PowerLite APP to view the fault information and contact the supplier
Abnormal Bluetooth connection	Bluetooth account connect error	Check whether the paired Bluetooth is consistent with the installed product
Abnormal WiFi connection	1. The WiFi connection is misconfigured 2. The WiFi module is abnormal and the line connection is abnormal	1. Check if the battery WiFi connection configuration is correct 2. Check whether the antenna is installed or connected reliably
The inverter is powered on for the first time through the battery, and the battery reports short-circuit protection	The parallel capacitor value of the input terminal on the battery side of the inverter is large	Battery protection can be automatically restored
Inverter won't start	The battery voltage is too low or the SOC is lower than the shutdown protection value	Charge the battery after starting the inverter from the grid

7 Warehouse storage guidelines

7.1 Packaging guidelines

Lithium-ion batteries is recognized as dangerous goods. The packaging requirements for battery products are as follows:

- a. The packaging manufacturer with the packaging qualification for dangerous goods is responsible for providing product packaging, and the packaging manufacturer has a record in the local Commodity Inspection Bureau;
- b. After the packaging manufacturer completes the packaging, the supplier needs to apply to the Commodity Inspection Bureau, and the Commodity Inspection Bureau will provide the "Dangerous Package Product Use Inspection Sheet" and "Dangerous package product performance inspection sheet", and complete the dangerous package commodity inspection;
- c. All battery packs should be packaged with product instruction manuals. The packaged product should be placed in a dry, dust-proof and moisture-proof packing box;
- d. The product name, model, quantity, gross weight, manufacturer, and ex-factory date should be marked on the outside of the packing box;
- e. The necessary signs such as "upward" and "fear of fire" shall meet the requirements of GB/T 191;
- f. The packing method is: packing in a carton with molded foam buffer material in the carton;
- g. Accessories packaging: single accessories are first fastened with cardboard or plastic film or braided straps, neatly placed in the carton, and filled with regular fillers (foam pads, cardboard, etc.) to prevent the accessories from shifting in the box. The following documents should be included with the product when leaving the factory:
 - 1) Product certificate (both in Chinese and English);
 - 2) Product use (installation) manual (Chinese/English);
 - 3) Product packing list (both in Chinese and English);
 - 4) Factory inspection report (both in Chinese and in English).
- h. Clean battery
Regular cleaning of the battery system is recommended. If the equipment is dirty, use a soft dry brush or dust collector to remove the dust. Cleaning liquid materials include solvents, abrasives, etc. Corrosive liquids should not be used for cleaning the housing.
- i. Packaging



7.2 Storage

The battery pack is stored in a clean, dry and ventilated room with an ambient temperature of $25^{\circ}\text{C}\pm 5^{\circ}\text{C}$ and a relative humidity of not more than 75%. The battery pack has a state of charge of 45% to 55%. Avoid contact with corrosive substances and keep away from fire and heat sources.

8 Dispose of used batteries

Comply with applicable local regulations for the disposal of electronic waste and used batteries.

- Do not mix with your household waste.
- Do not expose the battery to high temperatures or direct sunlight.
- Do not expose batteries to high humidity or corrosive environments.

Contact the supplier or original manufacturer for disposal options.

9 Detailed parameter

Item	Battery Module Parameter			
Battery model	B051100P02			
Cell type	LFP			
Rated voltage	51.2V			
Connection	1P16S			
Rated energy	5kWh			
Rated capacity	100Ah			
Dimension(W*D*H, mm)	440*410*135 mm			
Weight	45kg			
Internal resistance	<30mΩ			
Standard charging method	Constant current with limited voltage(constant voltage:55.2V, cutoff charging current 5A), Long time floating charge is not recommended			
System model	Atrix 5	Atrix 10	Atrix 15	Atrix 20
Parallel No.	1	2	3	4
Rated energy	5kWh	10kWh	15kWh	20kWh
Rated charging and discharging current for system	50A	100A	150A	200A
Maximum charging and discharging current for system	100A	180A	240A	300A
Rated voltage	51.2V			
Working voltage range	44.8V~55.2V			
Communication	CAN/RS485/WiFi			
Dissipation	Natural dissipation			
Heating method	Heating film, rated voltage 51.2V, total heating power 160W			
Protection function	Charging over voltage, discharging under voltage, over current, over temperature, short circuit protection			
Cycle life	6000 cycles (25°C, 0.5C/0.5C, 90%DOD)			
Warranty	10 years (details in warranty agreement)			
Scalability	Maximum 4 module parallel for one cluster; Maximum 6 clusters parallel with combiner box			
Protection level	Simple rack IP20			
Working ambient temperature	Charging: [-10,50]°C			
	Discharging: [-20,50]°C			

Working ambient humidity	10%~95%RH
Working altitude	<4000m, Derating above 2000m
Certificate	IEC62619,CE,UL1973,FCC,UL9540,UN38.3

